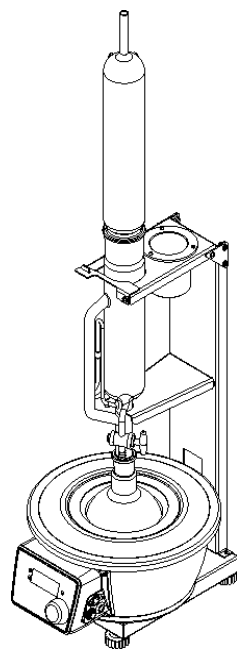
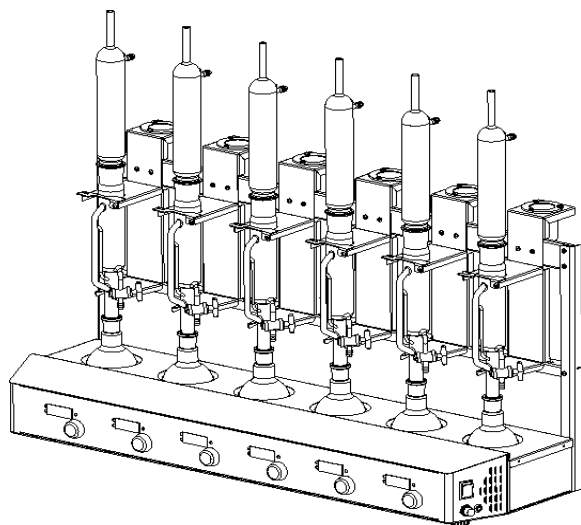


**LABQUEST**  
BY **BOROSIL®**

# SOXHLET

## OPERATING MANUAL

**SOX012 SOX015**  
**SOX062 SOX065**



**DEALER :**



## THANK YOU NOTE

*We Borosil, one of India's most customer oriented brands truly appreciate your business and express our gratitude for the trust you have placed on us.*

*We hope your choice serves you well in your scientific endeavors and aspire to have the pleasure of doing business with you for years to come.*



**TABLE OF CONTENTS**

<b>Sr. No.</b>	<b>Particular</b>	<b>Page No.</b>
1.	Packing list of SOX012	7
2.	Packing list of SOX015	8
3.	Packing list of SOX062	9
4.	Packing list of SOX065	10
5.	Product Specification of SOX012 & SOX015	11
6.	Product Specification of SOX062 & SOX065	12
7.	Safety and Warning	14
8.	Safety Precautions	15
9.	Product Identification of SOX012	16
10.	Product Identification of SOX015	17
11.	Product Identification of SOX062	18
12.	Product Identification of SOX065	19
13.	Product Installation of Soxhlet	20
14.	Assembly Procedure of SOX012 & SOX015	21
15.	Assembly Procedure of SOX062 & SOX065	22
16.	Operating Instructions of Soxhlet	25
17.	Standard Operating Procedure for Fat Analysis Using Soxhlet Extraction	28
18.	Procedure for Fat Extraction	29
19.	Description for Knob and Led for Soxhlet	30
20.	Settings of Soxhlet	31
21.	Working of Soxhlet	32

**TABLE OF CONTENTS**

<b>Sr. No.</b>	<b>Particular</b>	<b>Page No.</b>
22.	Features of Soxhlet	35
23.	Troubleshooting	37
24.	Warranty Registration	39
25.	Statement of warranty	42
26.	Contact Information	44

**PACKING LIST OF SOX012**

1. Single position 250ml heating mantle..... 1 No.
2. 100 ml Condenser extractor stand assembly ..... 4 Nos.
3. Silicone tube (8/12mm tube) ..... 5 Meters
4. Silicone tube (8/10mm tube) ..... 0.5 Meter
5. Soxhlet coil condenser glass part (Medium) ..... 1 No.
6. Soxhlet extractor (100 ml) ..... 1 No.
7. Single neck flat bottom flask (250 ml) ..... 1 No.
8. N4 X 10 self tapping..... 4 Nos.
9. M4 X 15 Panhead Screws..... 2 Nos.
10. N6 X 10 self tapping..... 4 Nos.

## **PACKING LIST OF SOX015**

1. Single position 500ml heating mantle ..... 1 No.
2. 200 ml Condenser extractor stand assembly ..... 4 Nos.
3. Silicone tube (8/12mm tube) ..... 5 Meters
4. Silicone tube (8/10mm tube) ..... 0.5 Meter
5. Soxhlet coil condenser glass part (Large) ..... 1 No.
6. Soxhlet extractor (200 ml) ..... 1 No.
7. Single neck flat bottom flask (500 ml) ..... 1 No.
8. N4 X 10 self tapping..... 4 Nos.
9. M4 X 15 Panhead Screws..... 2 Nos.
10. N6 X 10 self tapping..... 4 Nos.

**PACKING LIST OF SOX062**

1. 6 position 250ml heating mantle ..... 1 No.
2. 100 ml condenser extractor stand assembly ..... 6 Nos.
3. Left supporting plate ..... 1No.
4. Right supporting plate ..... 1No.
5. Horizontal supporting plate ..... 1 No.
6. Silicone tube (8/12mm tube) ..... 10 Meters
7. Silicone tube (8/10mm tube) ..... 2.4Meter
8. Soxhlet coil condenser glass part (Medium) ..... 1 No.
9. Soxhlet extractor (200 ml) ..... 1 No.
10. Single neck flat bottom flask (250 ml) ..... 1 No.
11. M4 X 12 Panhead Screws ..... 18 Nos.

**PACKING LIST OF SOX065**

1. 6 position 500ml heating mantle ..... 1 No.
2. 200 ml condenser extractor stand assembly ..... 6 Nos.
3. Left supporting plate ..... 1No.
4. Right supporting plate ..... 1No.
5. Horizontal supporting plate ..... 1 No.
6. Silicone tube (8/12mm tube) ..... 10 Meters
7. Silicone tube (8/10mm tube) ..... 2.4Meter
8. Soxhlet coil condenser glass part (Large) ..... 1 No.
9. Soxhlet extractor (200 ml) ..... 1 No.
10. Single neck flat bottom flask (500 ml) ..... 1 No.
11. M4 X 12 Panhead Screws ..... 18 Nos

## PRODUCT SPECIFICATION

PARAMETERS	SOX012	SOX015
Heating Power	150 Wattage Each	200 Wattage Each
No. of position	1	1
Process Timer	0-999 min	0-999 min
Energy control	Digital energy regulator	Digital energy regulator
Single necked flat Bottom Flask	250 ml	500 ml
Extractor	100 ml	200 ml
Condenser	Coil Condenser Medium	Coil Condenser Large
Extractor	100 ml	200 ml
Unit External Dimensions	310 x 710 x 770 mm	310 x 710 x 890 mm
Fuse rating	7 Amps	7 Amps

## PRODUCT SPECIFICATION

PARAMETERS	SOX062	SOX065
Heating Power	150 Wattage	200 Wattage
No. of position	6	6
Process Timer	0-999 min	0-999 min
Energy control	Digital energy regulator	Digital energy regulator
Single necked flat Bottom Flask	250 ml	500 ml
Extractor	100 ml	200 ml
Condenser	Coil Condencer Medium	Coil Condencer Large
Extractor	100 ml	200 ml
Unit External Dimensions	310 x 1035 x 770 mm	310 x 1035 x 890 mm
Fuse rating	10 Amps	10 Amps



**CAUTION**

- Always use proper protective equipment. (Clothing, gloves, etc.)
- Always follow good hygiene practices.
- Each individual is responsible for his / her own safety.
- Always wear shatter proof eye protection.

**SAFETY AND WARNING**

Important operating and maintenance instructions. Read the accompanying text carefully.

**Potential Electrical Hazards**

- Only qualified persons should perform procedures associated with this Symbol.
- Equipment being maintained or serviced must be turned off to prevent possible injury.
- Inadequate earthing at the installation facility can lead to hazardous electrical shocks.
- The manufacturer is not liable for any injury or death resulting from electrical hazards due to faulty earthing in the lab.

**Potential Heat Hazards**

- Only qualified persons should perform procedures associated with this Symbol.
- Do not touch the hot plate in case of Soxhlet directly when the unit is in hot condition.

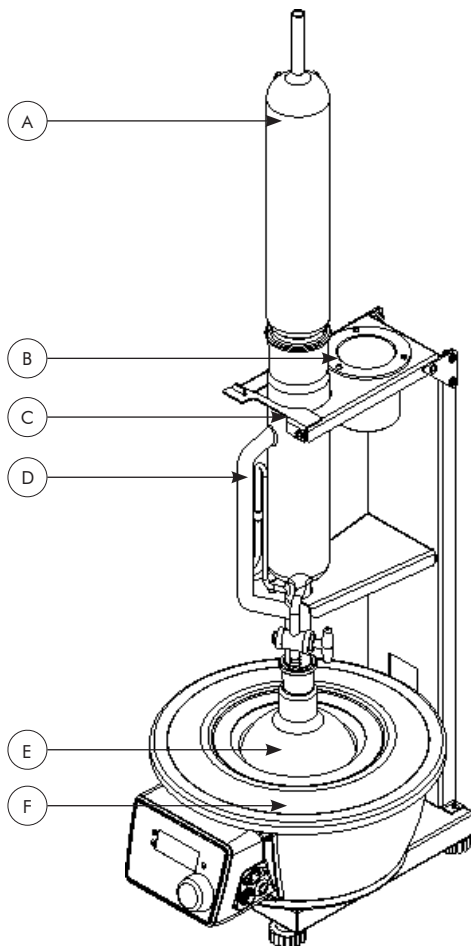
## SAFETY PRECAUTIONS

The following precautions should be taken when operating or working near the Soxhlet:

- Do not operate the Soxhlet without any flask on its mantle, if not used can reduce the life of the mantle due to over heating.
- Always supervise the Soxhlet when it's set to high energy level.
- Do not use the product if there is any electrical or mechanical damage.
- Repair should be performed only by qualified individuals.
- Do not use accessories which are not recommended by the manufacturer as it may affect the performance.
- Do not use the unit in hazardous atmosphere or with hazardous material for which the unit is not designed.
- Always use the unit on a level & stable surface for best performance and maximum safety.
- The instrument is designed to be used in the laboratory environment.
- Clean the unit with a damp cloth using a mild detergent only. Do not use chemical cleaning agents.
- If liquid is spilled on the unit, first disconnect the unit from the external (main) power supply and then clean the unit with damp cloth.

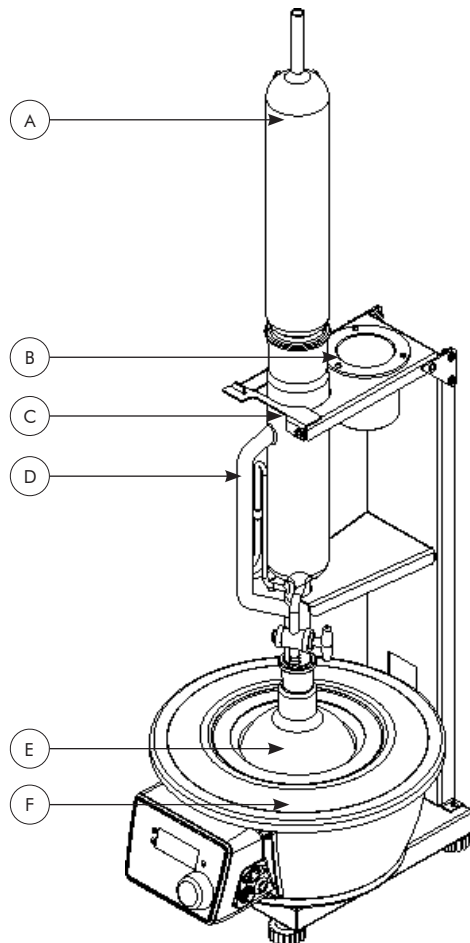
## PRODUCT IDENTIFICATION OF SOX012

- A. COIL CONDENSER MEDIUM
- B. CONDENSER HOLDING BUSH
- C. EXTRACTOR SUPPORT CLAMP
- D. EXTRACTOR 100 ML
- E. 250 ML FLAT BOTTOM FLASK
- F. 250 ML HEATING MANTLE



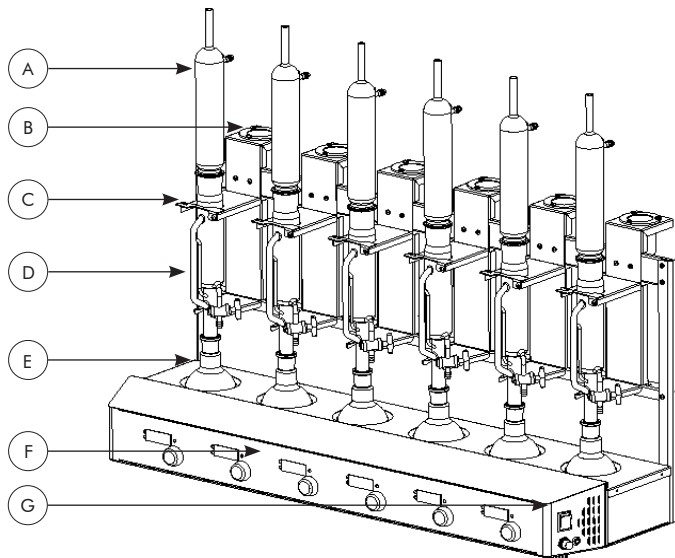
## PRODUCT IDENTIFICATION OF SOX015

- A. COIL CONDENSER LARGE
- B. CONDENSER HOLDING BUSH
- C. EXTRACTOR SUPPORT CLAMP
- D. EXTRACTOR 200 ML
- E. 500 ML FLAT BOTTOM FLASK
- F. 500 ML HEATING MANTLE



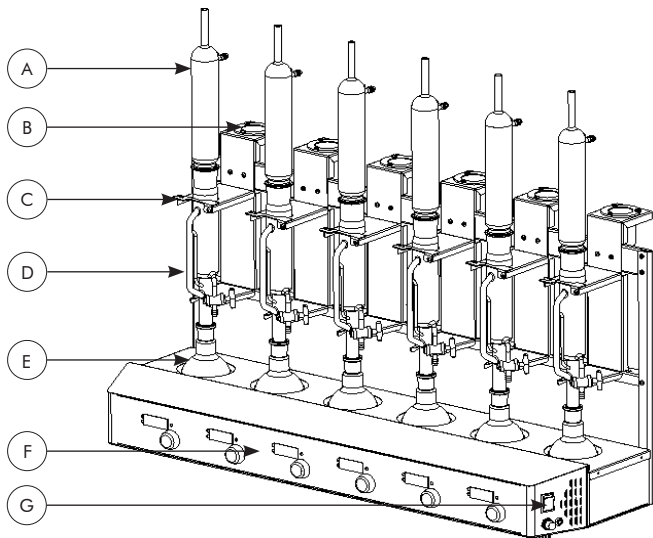
## PRODUCT IDENTIFICATION OF SOX062

- A. COIL CONDENSER MEDIUM
- B. CONDENSER HOLDING BUSH
- C. EXTRACTOR SUPPORT CLAMP
- D. EXTRACTOR 100 ML
- E. 250 ML FLAT BOTTOM FLASK
- F. 6 POSITION 250 ML HEATING MANTLE
- G. POWER ON/OFF SWITCH



## PRODUCT IDENTIFICATION OF SOX065

- A. COIL CONDENSER LARGE
- B. CONDENSER HOLDING BUSH
- C. EXTRACTOR SUPPORT CLAMP
- D. EXTRACTOR 200 ML
- E. 500 ML FLAT BOTTOM FLASK
- F. 6 POSITION 500 ML HEATING MANTLE
- G. POWER ON/OFF SWITCH

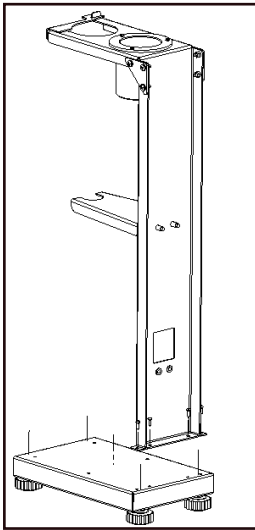


## PRODUCT INSTALLATION OF SOXHLET

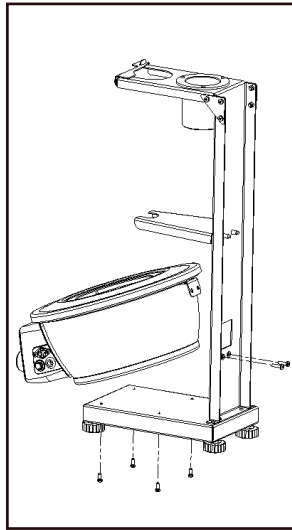
- Locate the unit on a level, stable surface near a grounded electrical outlet.
- The surface should be clean and free of dust and also ensure that there are no flammable substances present near the unit.
- Allow sufficient clearance on all sides of the unit for proper ventilation.
- With the power switch in the OFF position, plug the power cord into a grounded receptacle.
- Make sure that a minimum 100 mm gap is maintained between the unit, wall and also with other instruments present in the lab as shown in the figure below.
- Please ensure there is a fuse in the fuse holder.
- Connect the male end of the power cable to the wall socket.
- The unit is ready to operate for first usage.

## ASSEMBLY PROCEDURE OF SOX012 & SOX015

1. Assemble the condenser extractor stand assembly on the base plate by using the N6 X 10 pan head self tapping screw. (Qty. 4Nos.)
2. Now take the Heating Mantle unit from the box and assemble with condenser extractor stand assembly as shown in the 2nd figure, by using the M4 X15 pan head screws. (Qty. 2Nos.)
3. Now assemble the base plate and the Heating Mantle unit by using 4 self tapping screw N4 X10 from the bottom side as shown in the figure 2.
4. Figure 3 represents the final assembled unit.



1

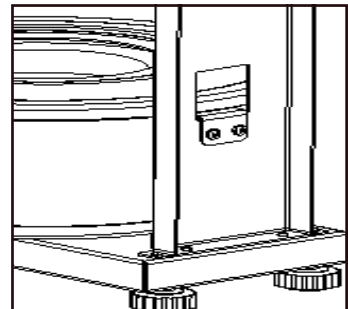


2



3

Back view of the assembled unit.



## ASSEMBLY PROCEDURE OF SOX062 & SOX065

- Now assemble the support column left, right and two horizontal support along with the unit using the M6 X 20 panhead screw and washer quantity 4 as shown in the figure 23.1.
- Once all the four above plates i.e. Left supporting plate, right supporting plate and two horizontal supporting plate's are assembled then assemble the condenser extractor supporting plate with the M4 X 12 Pan head screw.
- Now assemble the remaining condenser extractor stand assembly.
- Once the whole assembly is done the unit will look like figure 24.1.
- Now attach the silicon tube to the condenser for the flow of water as explained in the figure 24.2.

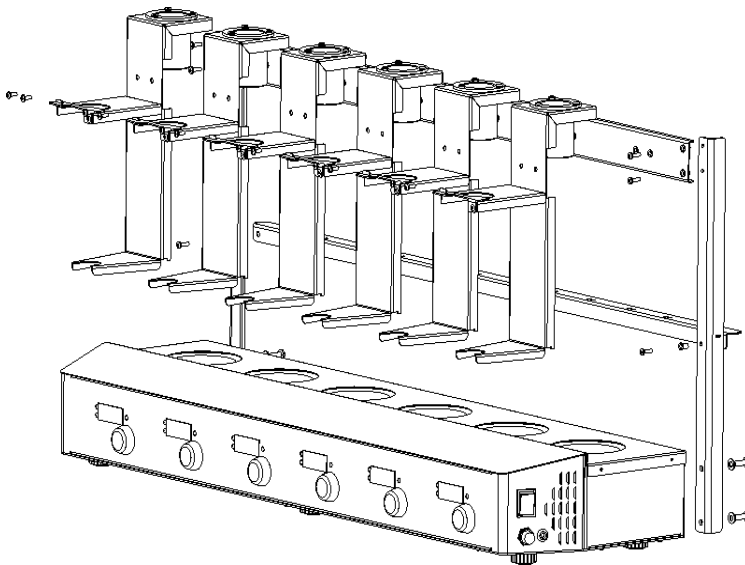


Figure 23.1

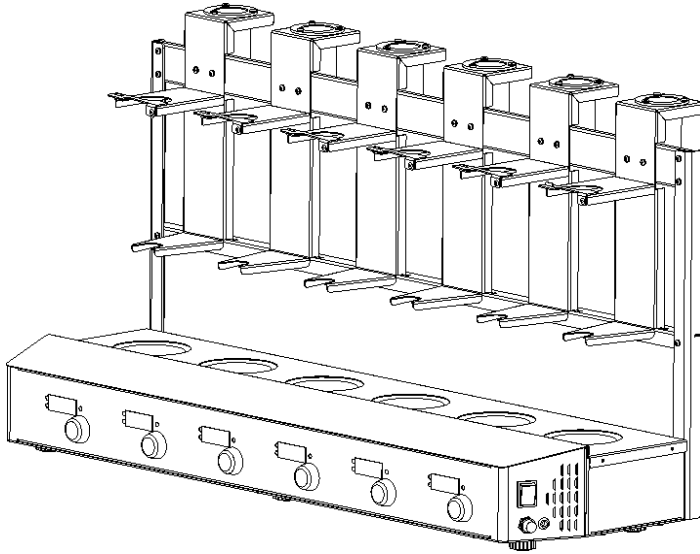


Figure 24.1

**PIPE SHOULD BE CONNECTED IN SERIES I.E. FIRST CONDENSER OUTLET TO SECOND CONDENSER INLET.**

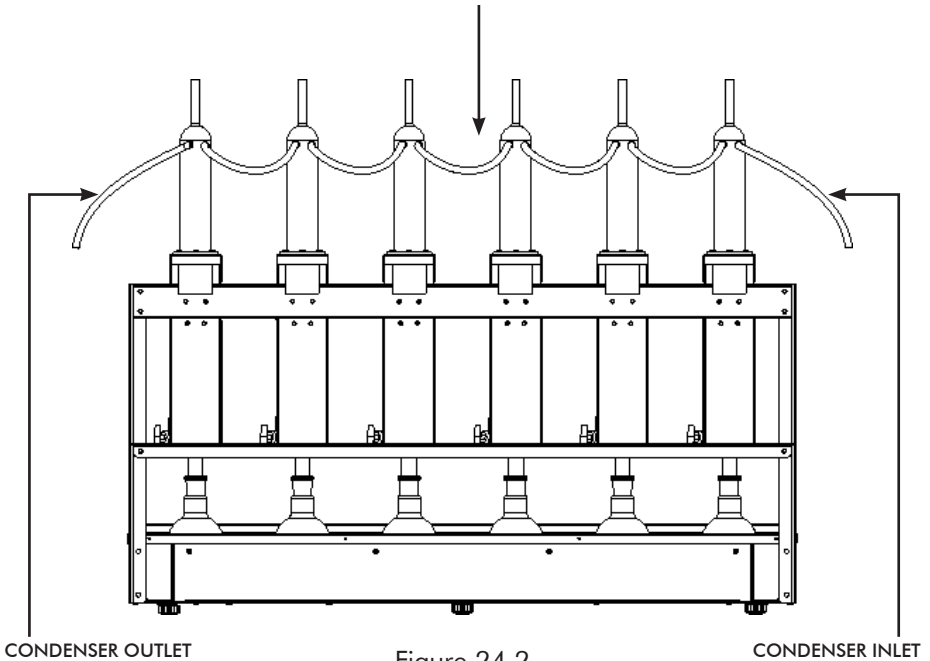
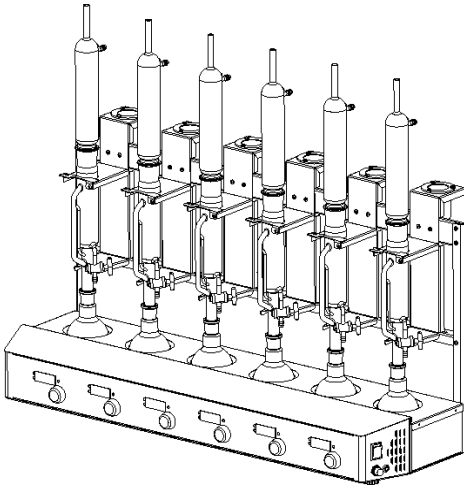
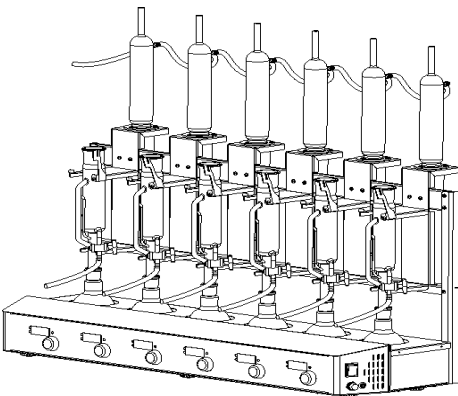
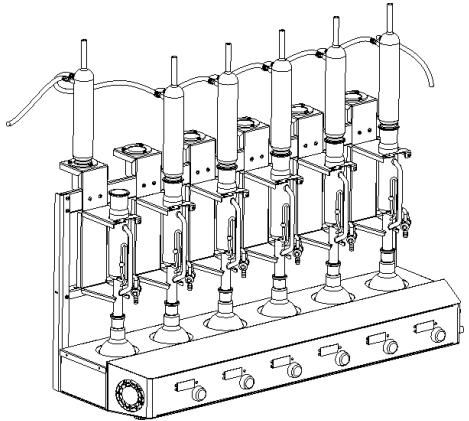


Figure 24.2



- Once the extraction process is completed, lift the condenser and place it on the condenser holding bush as shown in the image.
- Make sure the pipes are having the sufficient length so that while moving one condenser doesn't effect the others.

- Assemble the glass parts during the process and make sure the cooling water tube pipe are provided with the sufficient length.
- Make sure to close the extractor supporting clamp to prevent the glass assembly from falling.

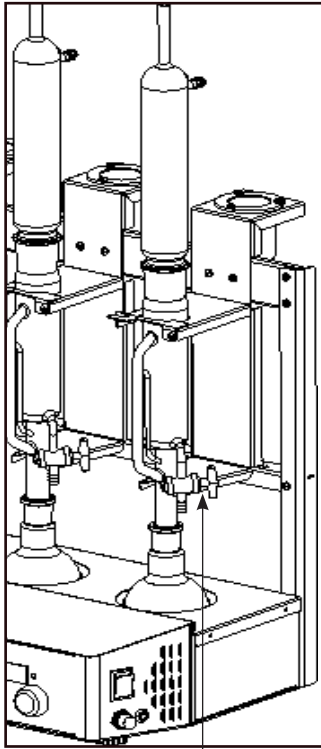


- Once all the condenser are lifted and kept on the condenser holding bush, open the extractor supporting clamp and remove the extractor from the flask

## OPERATING INSTRUCTIONS OF SOXHLET

- All operating controls are located on the front panel of the unit.
- Before starting the process please check that the glass parts are assembled properly on each other.
- Make sure that the unit is connected with the chiller for cold water circulation in the condenser for better efficiency during the extraction.
- Press the power switch, display will turn ON showing the previous set energy regulator value of the unit.
- Single press the selector knob or rotate the selector knob to set the parameters.
- One can rotate the selector knob in clockwise to increase energy regulator value or time, and also can rotate in anticlockwise to reduce the energy regulator value and time.
- First set the energy regulator value. Once this is confirmed single press the selector knob to get into the timer mode.
- Once the time is set then again single press the selector knob to start the process.
- If one wants to know the set energy regulator value and time during the process then single press the selector knob.
- If one wants to interrupt the process in between then long press the selector knob until a beep sound occurs stating that the process is terminated.
- In the Soxhlet once the time is complete then the unit window will show “open” indication for 1 minute with continuous beep. After that window shows “CoL” for solution recovery. At recovery mode, the energy and time is based on saved recovery energy and recovery time.

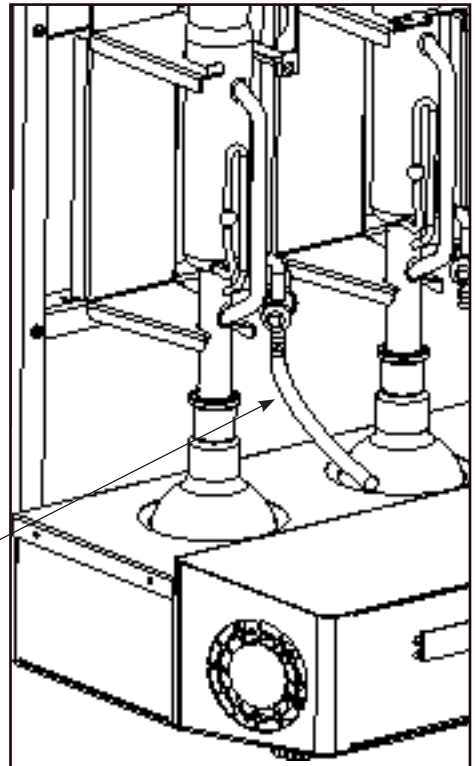
- Once the parameter in the unit is set and the process is started then the unit will show the energy regulator value and time along with the respective indicator light in the default mode.
- Make sure that the end of the condenser opening at the top should be properly sealed eg. by using cotton & cello tape so that the volatile solvent do not escape during the cycle.



Recovery Valve

Recovery Valve Tube  
(8/10mm Silicone Tube)

- Once the extraction time is completed the unit will go to the recovery mode .
- Connect the 8/10 mm silicone tube to the recovery valve barb as shown in the figure below.
- Place the collecting beaker at the tip of the silicone tube used for recovery and then open the valve for recovering the solvent from the extractor.
- Close the valve after completely collecting the solvent from the extractor



## STANDARD OPERATING PROCEDURE FOR FAT ANALYSIS USING SOXHLET EXTRACTION

### ABSTRACT

Lipids are present in various forms like monoglycerides, diglycerides, triglycerides, and sterols and free fatty acid and phospholipids and carotenoids and fat soluble vitamins. Lipid is soluble in organic solvent and insoluble in water, because of this, organic solvents like hexane, petroleum ether have the ability to solubilize fat and fat is extracted from food in combination with the solvent. Later the fat is collected by evaporating the solvent. Almost all the solvent is distilled off and can be reused.

### METHOD

Preparing the sample:

First of all we have to dry the sample/ product and remove moisture in order to facilitate entry of the organic solvent, because moisture restricts the entry of organic solvents. Then size is there to increase the surface area and due to it, there is a larger exposed surface.

### REQUIREMENT

1. Weighing balance
2. Soxhlet apparatus
3. Drying oven
4. Thimble
5. Glass rod
6. Desiccator with silica gel
7. Petroleum ether (Boiling point 60-80°C)
8. Cotton plugs

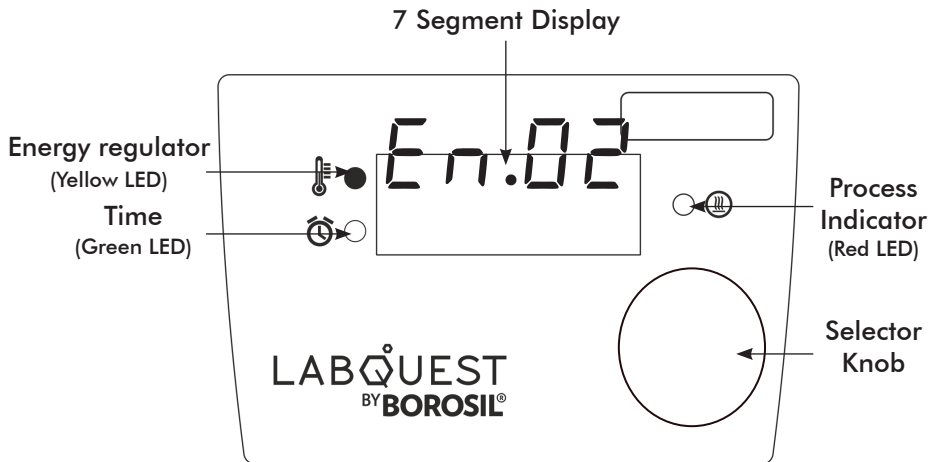
## PROCEDURE FOR FAT EXTRACTION

1. Dry all the glass parts in the oven at  $102^{\circ}$  for 1 hour and after removing it keep it in the dessicator.
2. Weight 5 grams of grounded sample in the thimble.
3. Take the empty weight of flat bottom flask.
4. Place the thimble in the soxhlet extractor.
5. In 250 ml flask add 150 ml petroleum ether to boil. (For 500 ml flask take 250 ml of petroleum ether).
6. Now place the single neck flat bottom flask inside the heating mantle and assemble the remaining soxhlet glass parts on top of the flask.
7. Apply silicone oil to all glass joints.
8. Fix the cotton on the top of the condenser.
9. Set the energy regulator and time for extraction.
10. Continue the extraction process for several hours, almost 5 hours or more.
11. Collect solvent by using recovery knob.
12. Remove the condenser and fix it on the backside stand of the unit.
13. Place the flask for drying in oven at  $102^{\circ}$  for 1 hour and after removing place it in the dessicator.
14. Take the weight of the flask after extraction and calculate percent of fat.

## CALCULATION

1. Weight of the empty flask before extraction =  $W_1$
2. Weight of the flask after extraction =  $W_2$
3. Weight of the sample =  $p$
4. Then crude fat percentage is =  $W_2 - W_1 / p \times 100$  .

## DESCRIPTION FOR KNOB AND LED FOR SOXHLET



### 1. Selector Knob

- **Clockwise Rotation**
  - » To increment the set parameter value.
- **Anti Clockwise Rotation**
  - » To decrement the set parameter value.

### 2. Switch

- **Single Press :** To select the particular parameter value.
- **Long Press:** To reset the set parameter, to exit the process and to jump into the settings.

### 3. Yellow LED

- This indicates the Current & Set energy value.

### 4. Green LED

- This indicates the Current & Set time.

### 5. Red LED

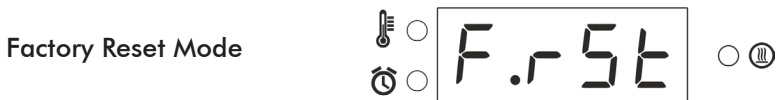
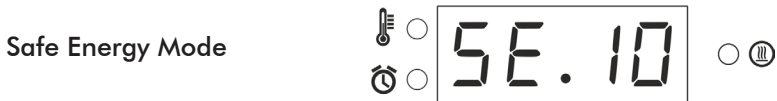
- This indicates the process time.

## SETTINGS OF SOXHLET

Long press the selector knob to get into the settings of SOXHLET when the unit is not in a process. Rotate the knob to change the mode and single press to set and save the mode settings. First Safe energy setting will appear.

Rotate the knob to change mode.

- Soxhlet setting modes are as follows :



## WORKING OF SOXHLET

1. In default power ON condition previous set energy value will display on window.



2. Rotate the knob clockwise and anticlockwise to set the desired energy regulator value.
3. In set parameter,
  - User can set energy regulator : 0 to 10.
  - At that time Yellow LED will blink continuously.



- User can set the time 1 to 999 minutes.
- At that time Green LED will blink continuously.



4. Single click to change from energy regulator value to time and to start the process.
5. Red LED indicates process ON.

6. While in process, user can check or change the energy regulator value by single pressing and rotating the selector knob clockwise or anticlockwise. At that time yellow LED will blink continuously.



7. After setting the temperature, user can check or change the set time by single pressing and rotating the selector knob clockwise or anticlockwise. At that time green LED will blink continuously.



8. While in process, user can STOP the process by long pressing the selector knob.
9. In process 2 windows will be alternately appear in the display (energy regulator value and time).
10. The countdown time will be display in process and once the time is complete process will terminate automatically.
11. Display will alternately show the energy regulator value and time.
- YELLOW LED indicates the energy regulator value.
  - GREEN LED indicates the countdown time.



Energy regulator



Time

- After process time is completed, the unit window will show “open” indication for 1 minute with continuous beep. This indication is for OPEN Recovery Valve.



- Once the extraction time is completed the unit will go to the recovery mode .
- Display window shows “Colt” indication for Collection or solution recovery. At recovery mode, the energy and time is based on saved recovery energy and recovery time in setting.



- User can STOP the process by long pressing the selector knob or after completion of recovery time process will stop.

## FEATURES OF SOXHLET

- In default state, long press to switch into the feature setting mode and again long press to exit.
- Single click to select and save the changes.
- Rotate clockwise and anticlockwise to change the settings.
- To edit parameters rotate clockwise and anticlockwise while value is blinking

### 1. Safe Mode



- In this mode, user can lock the maximum set energy regulator value.
- Example : If the user locks the safe energy regulator value to 7, then user can set maximum energy regulator value will be 7.

### 2. Recovery Energy Mode



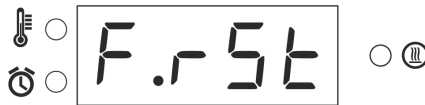
- In this mode, user can set the recovery energy regulator value.
- User can set recovery energy regulator value between 1 to 4.

### 3. Recovery Time Mode



- In this mode, user can set the recovery time.
- User can set recovery time between 1 to 99 minutes.

### 4. Factory Reset Mode



- In this mode, by selecting option “YES” factory reset can be done.
- After Factory settings, default parameter’s values are :
  1. Safe energy - 10
  2. Recovery energy - 04
  3. Recovery time - 60
  4. Set energy - 00
  5. Set time - 00

## TROUBLESHOOTING

1. The unit is not turning ON.
  - Check the power supply in AC mains.
  - Make sure power cable is inserted to the socket properly.
  - Check whether the main switch is ON or OFF.
  - Check if the illuminated switch present in the unit is OFF or ON.
  - Check if the unit is running and the switch is not illuminating, then, the switch needs to be replaced.
  
2. If the fuse is blown.
  - Switch OFF the unit and remove power cable from AC mains.
  - Remove the plastic tray present in the power socket located at the back side of the unit.
  - Remove the glass tube fuse.
  - Check if the fuse is blown.
  - If the fuse is blown, replace it with a glass tube fuse that is given in the product specification table.





## WARRANTY REGISTRATION

Please handover this Registration form to the distributor from where you have purchased this product.

The warranty is valid only when this warranty registration card is received by us within 30 days from the date of purchase.

Product: SOX012  SOX015

SOX062  SOX065

Product Sr. No.: \_\_\_\_\_

Date of Invoice : \_\_\_\_\_

Invoice No.: \_\_\_\_\_

### Customer name & address

Name : \_\_\_\_\_

\_\_\_\_\_

Address: \_\_\_\_\_

\_\_\_\_\_

\_\_\_\_\_

Telephone: \_\_\_\_\_

E-mail: \_\_\_\_\_

### Customer sign & seal

### Dealer name & address

Name : \_\_\_\_\_

\_\_\_\_\_

Address: \_\_\_\_\_

\_\_\_\_\_

\_\_\_\_\_

Telephone: \_\_\_\_\_

E-mail: \_\_\_\_\_

### Dealer sign & seal





# BOROSIL® Scientific

STATEMENT OF WARRANTY

Borosil confirms that this product has been manufactured in accordance with our technical specifications and quality requirements.

- Borosil warrants the product from manufacturing and workmanship defects for a period of 12 months from the date of invoice.
- Warranty void if apparatus is not operated as prescribed in this operating manual.
- To be covered under warranty.
  - Units have to be connected to standard 230V, 50Hz, 5A wall sockets with proper earthing for Soxhlet.
  - The units should never be run with wet or dripping glassware.
  - Warranty does not cover replacement of heating element more than once.
  - Warranty does not cover rust and physical damage to metal parts due to corrosive environment in the lab.

**Terms:**

- In the event of malfunction due to defect, the buyer will have to follow the Borosil’s service process.
- Certain units can not be serviced/rectified at the buyer’s place and the units may have to be brought to Borosil’s service center as advised by Borosil’s representatives.
- In no event shall Borosil be liable for consequential or incidental damages.

<b>INVOICE DATE</b>	<b>BUYER</b>	<b>AFFIX SERIAL NUMBER</b>
<b>INVOICE#</b>		
<b>Dealer name &amp; address</b>		<b>Dealer sign &amp; seal</b>

**BOROSIL SCIENTIFIC LIMITED**

Corporate Office : 1101, Crescenzo G-Block, Opp. MCA Club, Bandra Kurla Complex, Bandra (E), Mumbai-400051, India.







**: MANUFACTURED BY :**

**Borosil Scientific Limited**

Plot No.7, Sr. No. 234, 235 & 245,  
Indialand Global Industrial Park,  
Hinjewadi Phase 1, Pune - 411057

*Write to us on above address.*

**: MARKETED BY :**

**Borosil Scientific Limited**

1101, G-Block, Parinee Crescenzo,  
BKC, Bandra East, Mumbai - 51

Maharashtra, India

**: CUSTOMER CARE CONTACT :**

**Phone : 1800 22 4551 | Email : [lab.support@borosil.com](mailto:lab.support@borosil.com)**

**Website : [www.borosilscientific.com](http://www.borosilscientific.com)**